



Kenya Power

*Central Office – P.O. Box 30099, Nairobi, Kenya
Telephone – 254-02-3201000
Fax No. 254-02-3514485
StimaPlaza, Kolobot Road
Nairobi, Kenya*

Our Ref: KP1/9AA-3/PT/23/15-16/mm

7th September, 2015

M/s -----

**RE: ADDENDUM NO. 1 TO THE TENDER NO. KP1/9AA-3/PT/21/15-16 FOR SUPPLY
POLE MOUNTED BOXES**

We make the following clarifications and amendments to the above Principal Tender Document (*hereinafter abbreviated as the PTD*) for the Supply of Miniature Circuit Breakers (MCBs) For Youth, Women and Persons with Disabilities dated August 2015.

1. RELATIONSHIP WITH THE PRINCIPAL TENDER DOCUMENT

Save where expressly amended by the terms of this Addendum, the PTD shall continue to be in full force and effect. The provisions of this Addendum shall be deemed to have been incorporated in and shall be read and construed as part of the PTD.

2. CLARIFICATIONS HAVE BEEN SOUGHT AS FOLLOWS:

1. Cable entry – Quantity – remains 4
2. Locking key not acceptable
3. Our specification maintained- clause 5.3.4
4. Our specification maintained – No range – clause 11.1.1
5. Our specification maintained – 12.2

METER BOX ,POLE MOUNTED S/PH 4-ME

Clause 3.1 to read

3.1 The degree of protection of the enclosure shall be at least **IP 65** when the top cover is securely closed and sealed.

Clause 11.1.2 to read

The diameter of the holes for cable gland shall be 32mm and shall be aligned as shown in fig.4.

Clause 11.2.5 to read

Thickness, in millimetres, of the various components shall not be less than those indicated in the following table:

| | Tolerance | Body | Top cover | Rail metal plate |
|--------------------|--------------------|------|-----------|-----------------------|
| Body and top cover | $\pm 0.1\text{mm}$ | 3mm | 3mm | $1 \pm 0.05\text{mm}$ |

Amendment – 12.5 & figure 5. Single phase meter

12.5 Meters dimensions and configuration.

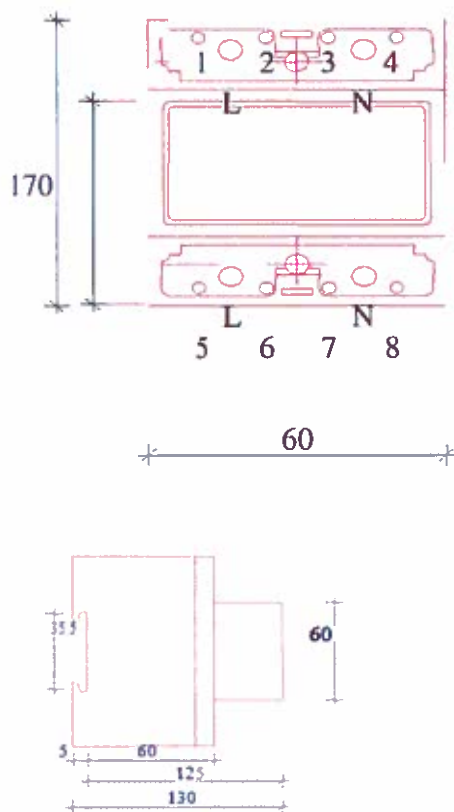


Fig. 5 Single phase meter

APPENDIX A

| CLAUSE | KPLC REQUIREMENT | MANUFACTURER'S COMPLIANCE REMARKS | REFERENCE PAGE IN THE SUBMITTED DOCUMENTS |
|--------|---|-----------------------------------|---|
| 3.1 | Degree of protection IP 65 | | |
| 11.1.2 | diameter of the holes for cable gland shall be 32mm and shall be aligned as | | |

| | | | | | | |
|--------------------|---------------------------|------|-----------|------------------|--|--|
| | shown in fig.4 | | | | | |
| 11.2.5 | Thickness, in millimetres | | | | | |
| | Tolerance | Body | Top cover | Rail metal plate | | |
| Body and top cover | ±0.1mm | 3mm | 3mm | 1 ± 0.05mm | | |

3. CLOSING DATE

The closing has been changed from Wednesday 9th September, 2015 to Thursday 1st October, 2015.

All other terms and conditions remain as per the Principal Tender Document (PTD).

Yours faithfully,

FOR: THE KENYA POWER & LIGHTING COMPANY LIMITED


BERNARD NGUGI
AG. GENERAL MANAGER SUPPLY CHAIN.

